

## EnergyPack



ZERO EMISSIONS



ZERO NOISE



PEAK SHAVING



LOAD SHARING



PLUG&PLAY

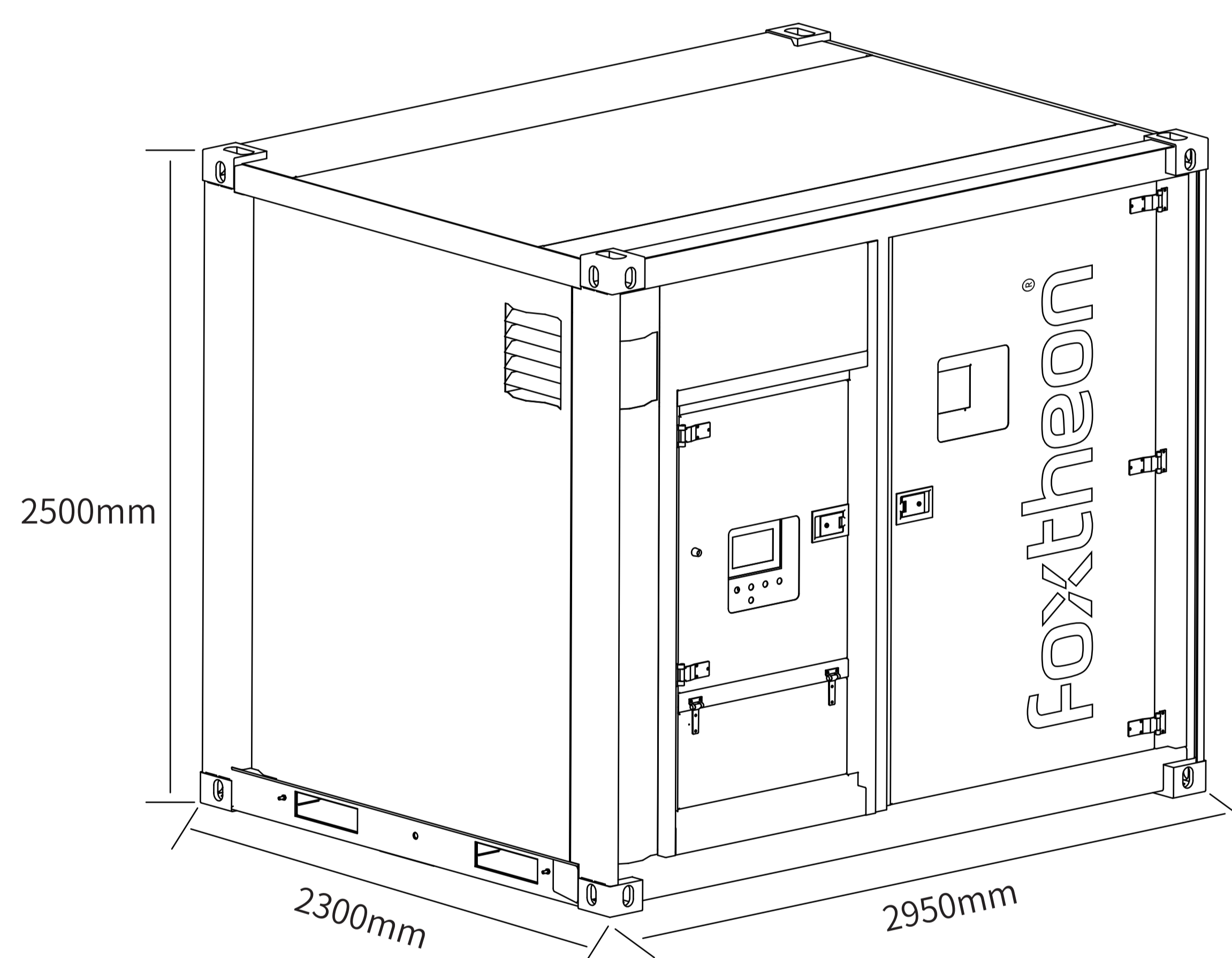


RENEWABLES INTEGRATION

PERFORMANCE		P350
Nominal rated power	kVA	376
Overload power(60s)	kVA	470
Nominal peak power(10s)	kVA	625
ELECTRICAL		
Rated voltage	VAC	415
Output voltage range	VAC	400 (-10%~+15%)
Frequency	Hz	50(60)
Power factor range		0 ind. ...1 ... 0 cap
Nominal AC current	A	524
Max AC current(10s)	A	870
ENERGY		
Cell chemistry		LiFePO4
Nominal capacity	kWh	376
Effective capacity	kWh	338.4
Recharging time	Hours	2h@188kW
Discharging time	Hours	1h@338kW
System round trip efficiency	%	up to 96.6%
DoD% (depth of discharge)	%	90
Lifetime (80% DoD)	Cycles	7000
Battery management system		Automotive grade BMS
Temperature control		Liquid cooling / PI heating film

ENVIRONMENTAL		P350
Protection class		IP54
Corrosion protection		C3 (C5M)
Operating temperature	°C	-20 to +50
Humidity		0-95% (no condensation)
Maximum operating altitude	m	3000
Sound power level	dB(A) @1m	<50

MECHANICAL		P350
Dimensions (L x W x H)	mm	2950*2300*2500
Weight	kg	6000



## SCOPE OF SUPPLY

### Canopy

- High strength structure, high IP protection container

### Security

- Internal locker for batteries.
- Anti-theft hinges and door lockers.
- Earth pin without grounding rod.

### Transportability

- Transport Efficiency: The design includes a lifting eye, skid frame with forklift pockets, anti-theft features.

## OPTIONALS

- Custom colors
- Custom sockets distribution (input and output)
- Extended galvanized baseframe
- Grid synchronization panel
- Integrated PV inverter
- EV Charge point
- Trailer

CONTROL	
Control panel	Industrial grade rugged 7" HMI with configurable presets, data visualisation and logs
Protection	Overload, Overheat, Short Circuit, Earth Fault
Temperature control	Active forced air cooling
Remote generator start	Dry contact relay / MODBUS
Remote connectivity	Data-efficient M2M communications via cellular IoT and user notifications to Internet connected devices
Remote automation	FoxCloud Web APP

### FoxMind Energy Management System

FoxMind EMS is an intelligent hybrid power management system that automatically controls power distribution between generator, battery storage, PV, and mains systems, determining the most economical mix of power management of the whole system. It provides a simple and guided operation experience in choosing the appropriate working mode for any scenario, ensuring you a safe, efficient, and reliable energy supply.



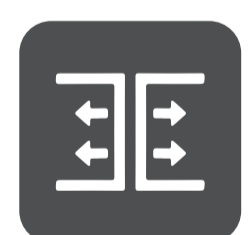
#### Multiple Working Mode

Provides multiple operating modes selection for different working scenarios. The full functions EMS supports Island mode, Automatic Mains Failure, Fixed power, Peak shaving, Load take-over, Mains power export etc.



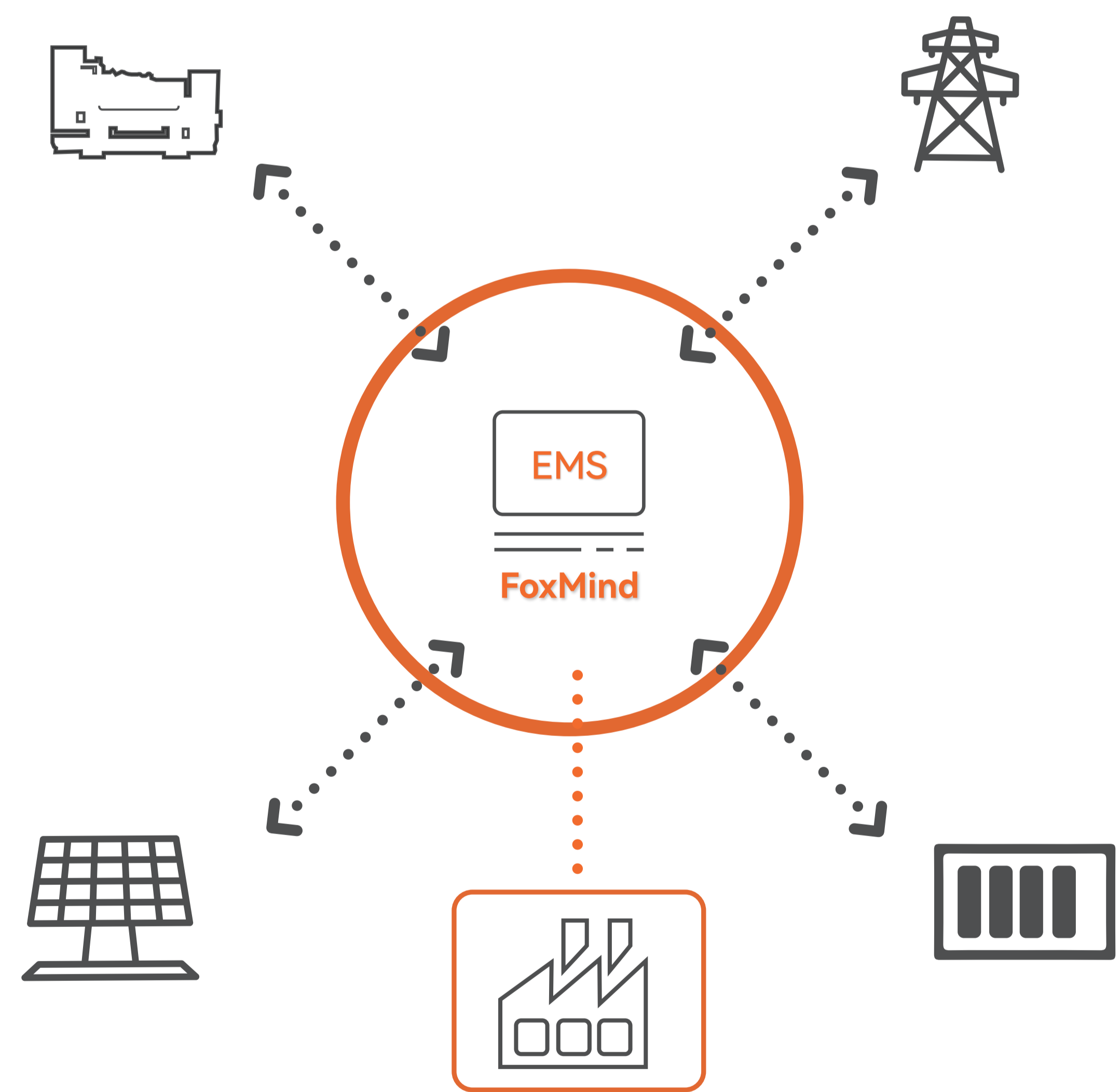
#### Integration Capability

The FoxMind EMS can automatically integrate various energy sources of generator, battery storage, PV, mains and provide seamless power switch.



#### Scalability

The power and capacity can be expanded by paralleling with multiple EnergyPack BESS and generators.



\* Foxtheon has the right to modify any feature without prior notice. The images are indicative and may not coincide in their entirety with the product. Images non contractual.

Web: [www.foxtheon.com](http://www.foxtheon.com)

E-mail: [info@foxtheon.com](mailto:info@foxtheon.com)

Address: Hi-tech Zone Haixiyuan, Fuzhou, China